



Pharma-grade Bag-in Bag-out Filter Systems



M.C. Air Filtration manufactures an extensive range of high efficiency filter inserts and filter housings specifically designed and manufactured to meet the stringent requirements of the pharmaceutical and biotechnology industries.

The Pharma-grade range of modular Bag-in Bag-out air filter housings and systems have been designed to accept our range of high integrity Pre-Filter Panels, HEPA Filter Inserts & Charcoal Filter Inserts.

Pharma-Grade Housings are manufactured using precision laser cut parts and CNC folding equipment to produce a very accurate and strong construction with the minimum amount of individual pieces and welded joints.

Consideration has been taken in the design to eliminate any horizontal surfaces within the housing and to provide a smooth internal finish to minimize the settlement of particulate material and aid decontamination of the housing.

The modular system of components can be either factory or site assembled into complete systems comprising filter housings, isolation dampers and interconnecting ductwork and manifold connections.

The individual modular housings have been designed to accommodate filter inserts with a face size of 610mm x 610mm and depth of either 50mm, 110mm or 292 mm with air-flow capacities up to 4000m³/hr.

Pharma-grade housings can be installed directly onto plant and machinery or into ventilation ductwork using their standard square section pre drilled flanges

We will also supply the housings with contract specific transformation sections to suit pre-existing requirements.

Alternatively housings can be connected together:

- In series to provide primary secondary and tertiary levels of filtration.
- In parallel to common inlet and outlet ducts to provide systems suitable for larger air volumes and continuous use.

All housing & damper & duct manifold flanges are pre drilled at the factory to ease the on-site installation process.

Each filter insert is positioned accurately within the housing body by location guides pressed into both rear and side panels. It is held evenly against the sealing face by two stainless steel eccentric cam bars which lift the filter against the sealing face and will also prevent the door cover from being fitted if the insert is not in the clamped position.

The removable door cover is secured to the housing body with 4 individual hand-wheels.

All housings incorporate a fully welded, twin grooved safe change bagging neck (spigot) for use with safe change bags.

Pharma-grade housings are supplied complete with two tapping points on the inlet and outlet side of the filter insert to enable differential pressure measurement to be monitored.

In-Bleed HEPA vent filter connections, Decontamination Ports and Iso-kinetic DOP Sampling & Injection manifolds can also be incorporated when required.

Isolation Dampers:

Dependant on the expected method of operation & maintenance the Pharma-grade filter system can be supplied with either complete System isolation or individual Cell isolation dampers. These dampers will allow the system or cell to be taken off-line to allow replacement of the filter insert(s)

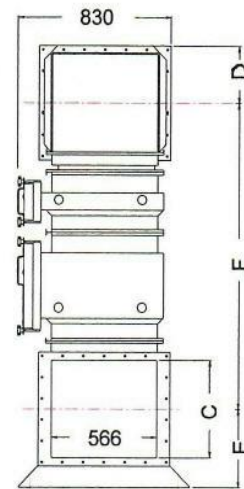
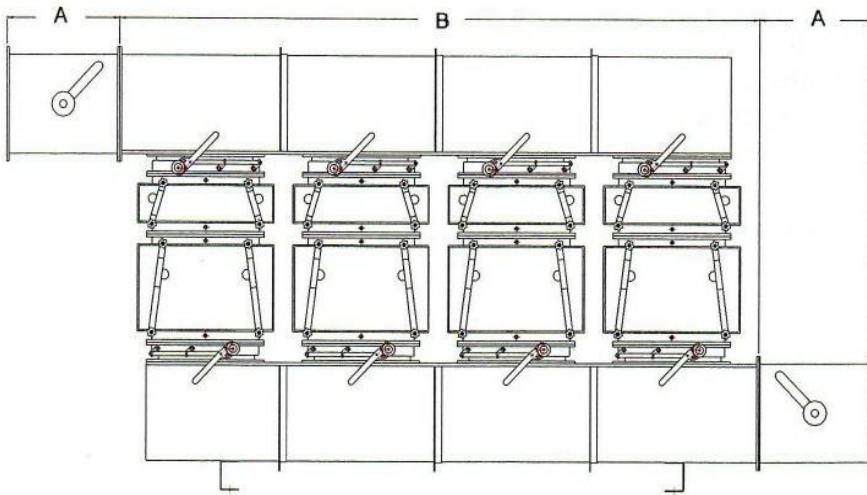
M Series:

All M Series housings, ducts and dampers are manufactured using 2mm Zintec coated mild steel, an iron phosphate pre-treatment is applied before a polyester powder coat paint finish. The standard colour is RAL9010 however alternative colours can be supplied if required.

S4 & S6 Series:

S Series housings, ducts and dampers are identical to the M Series only manufactured from either 304L or 316L in stainless steel. The standard finish is natural mill finish with all weld discolouration removed, however alternative grained or polished finishes can be specified.





Sections Long	A System Damper Optional	B	C	D	E	F Main Filter Housing Only Add 200mm if Cell Dampers fitted	F 1 Main and 1 Pre Filter Housing Add 200mm if Cell Dampers fitted	F 2 Main and 1 Pre Filter Housing Add 200mm if Cell Dampers fitted
1	420	943	274	179	289	828	1136	1686
2	420	1774	274	179	289	828	1136	1686
3	420	2614	380	232	342	934	1242	1792
4	600	3454	486	285	395	1040	1348	1898
5	600	4294	592	338	448	1146	1454	2004
6	600	5134	592	338	448	1146	1454	2004

Dimension F assumes a 50mm deep pre filter and 292mm deep main filters

Quality Control:

All M.C. Air Filtration Filter Housings, Isolation dampers and Filter Inserts are manufactured and tested under strict quality controlled conditions in accordance with our BS EN ISO 9001:2008 accreditation.

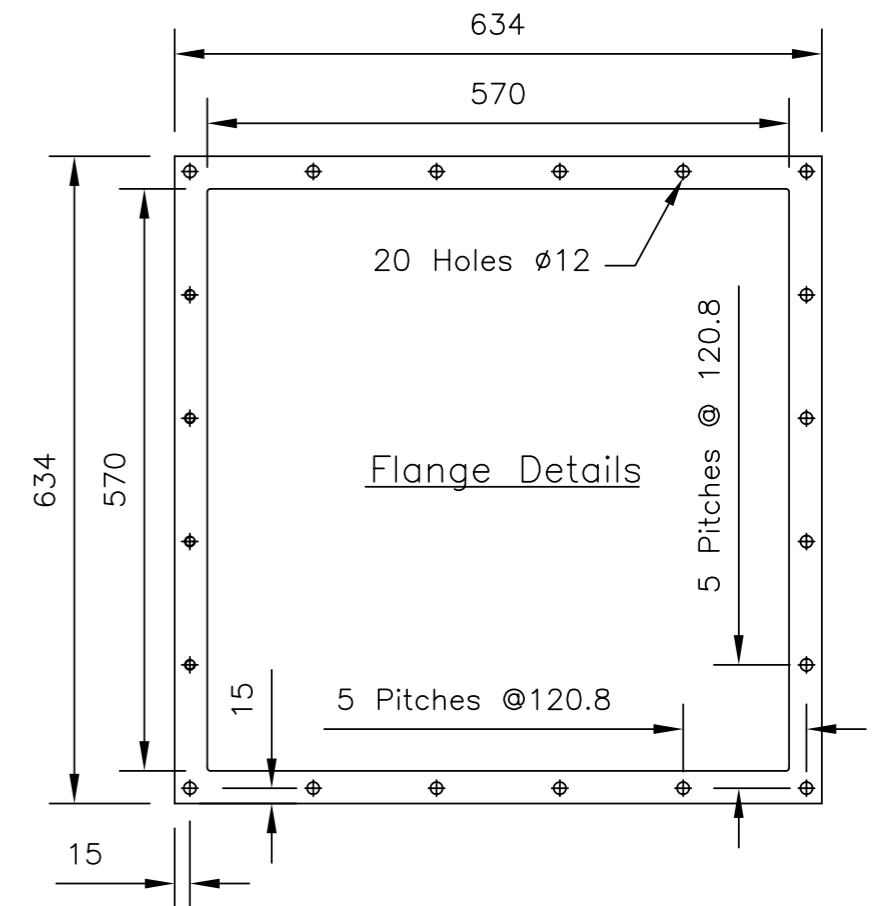
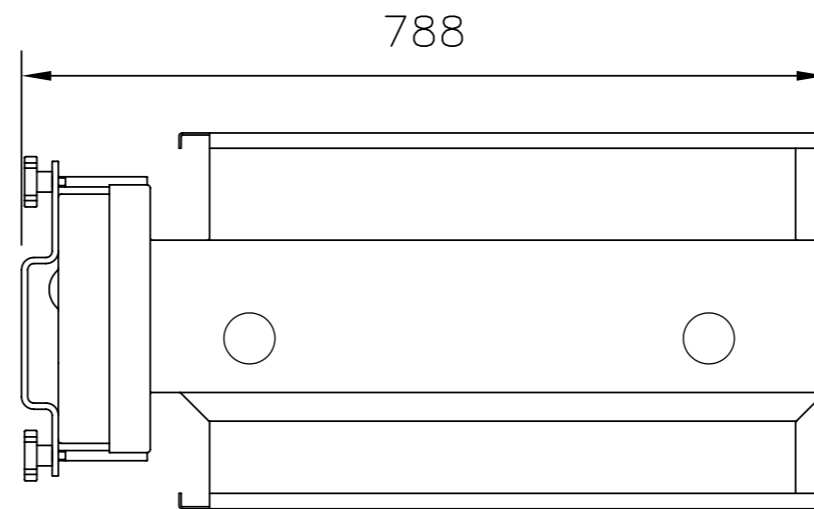
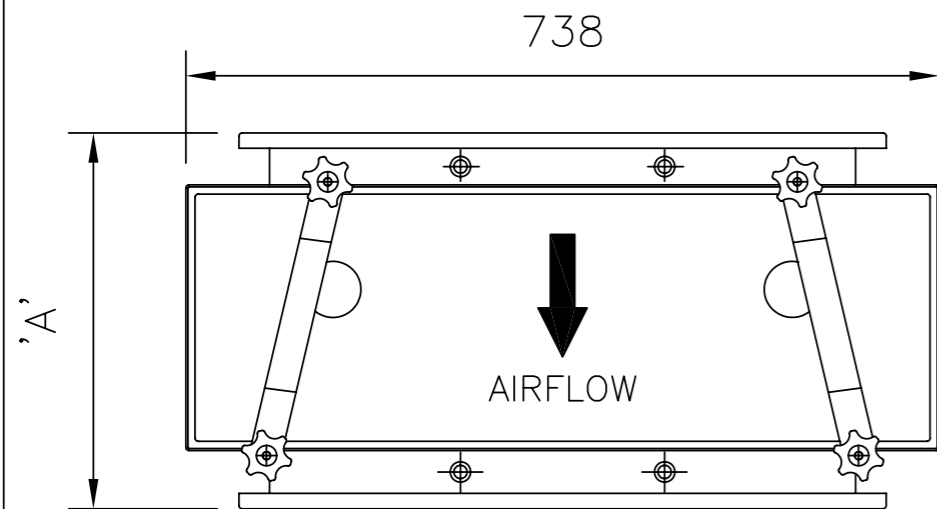
Each Pharma-grade Filter Housing & Filter System will be factory tested and allocated with a unique serial number for future traceability.

Alternative sizes, specifications and materials of construction are available; please contact our Sales office to discuss your specific requirements.

DATA SHEET AF045

DO NOT SCALE

IF IN DOUBT-ASK



FILTER SIZE	DIMENSION 'A'
610x610x50mm	308
610x610x110mm	368
610x610x292mm	550

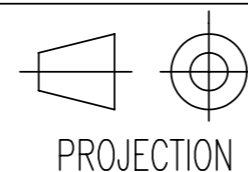
MATERIAL OF CONSTRUCTION :
 MILD STEEL – POLYESTER POWDER COAT
 STAINLESS STEEL TO AGREED SPECIFICATION

ISSUE	DATE	APPVD	CHANGE	DCR NO
B	10/11/04	D.G	NOTES ADDED	D.O.C
A	07/04/02	D.G	FROZEN	---

M.C. Air Filtration
 MOTNEY HILL ROAD, GILLINGHAM, KENT
 TEL. 01634 388333 FAX. 01634 379384

DIMENSIONS IN MILLIMETRES UNLESS OTHERWISE STATED
 REMOVE ALL BURRS AND SHARP EDGES

TOLERANCE



PROJECTION

TITLE

PHARMA GRADE SAFE CHANGE HOUSING RANGE

This drawing is our sole property and copyright, and may not be disclosed, copied or reproduced without prior written consent of :-
 M.C. AIR FILTRATION ©

SCALE
 N.T.S.

DRAWN	M.T.	DATE	07/04/02
CHECKED	M.T.	DATE	07/04/02
APPROVED	D.G.	DATE	07/04/02

DATA SHEET AF045

ISSUE
 B
 A3