



## Compact Push-Push HEPA Filter Insert Range

### Part N° 35492

Nominal duty: 35 m<sup>3</sup>/hr @ an initial  $\Delta p$  of 130 Pascal  
Maximum duty: 60 m<sup>3</sup>/hr @ an initial  $\Delta p$  of 220 Pascal  
Nominal size:  $\varnothing$ 146mm x 164mm long  
Suitable for use in a 150mm bore tube

### Part N° 35535

Nominal duty: 70 m<sup>3</sup>/hr @ an initial  $\Delta p$  of 130 Pascal  
Maximum duty: 120 m<sup>3</sup>/hr @ an initial  $\Delta p$  of 220 Pascal  
Nominal size:  $\varnothing$ 196mm x 240mm long  
Suitable for use in a 200mm bore tube

### Performance characteristics:

Efficiency: 99.999% integral efficiency against  
DOP challenge aerosol  
99.995% @ MPPS Grade H14 EN1822

Final pressure drop: < 600 Pascal

Burst pressure: > 2000 Pascal

Maximum Temp: 70°C Maximum RH: 70%

### Materials of construction:

Media: Non-flammable, water repellent, microfine  
glass paper folded over glass thread spacers  
End Flanges: Rigid polyurethane  
Protective grid: Expanded flattened stainless steel  
Handle: Stainless steel  
Seal: Silicone rubber

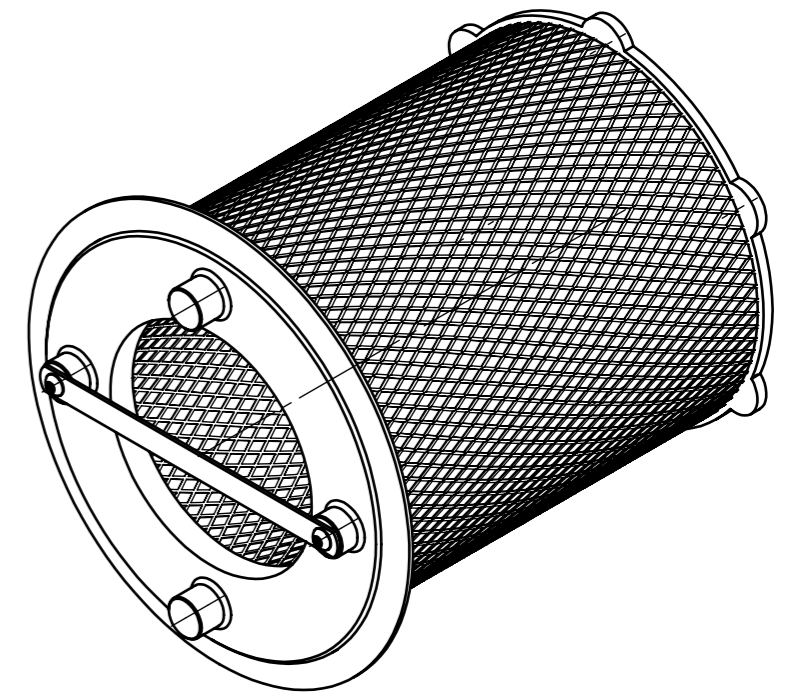
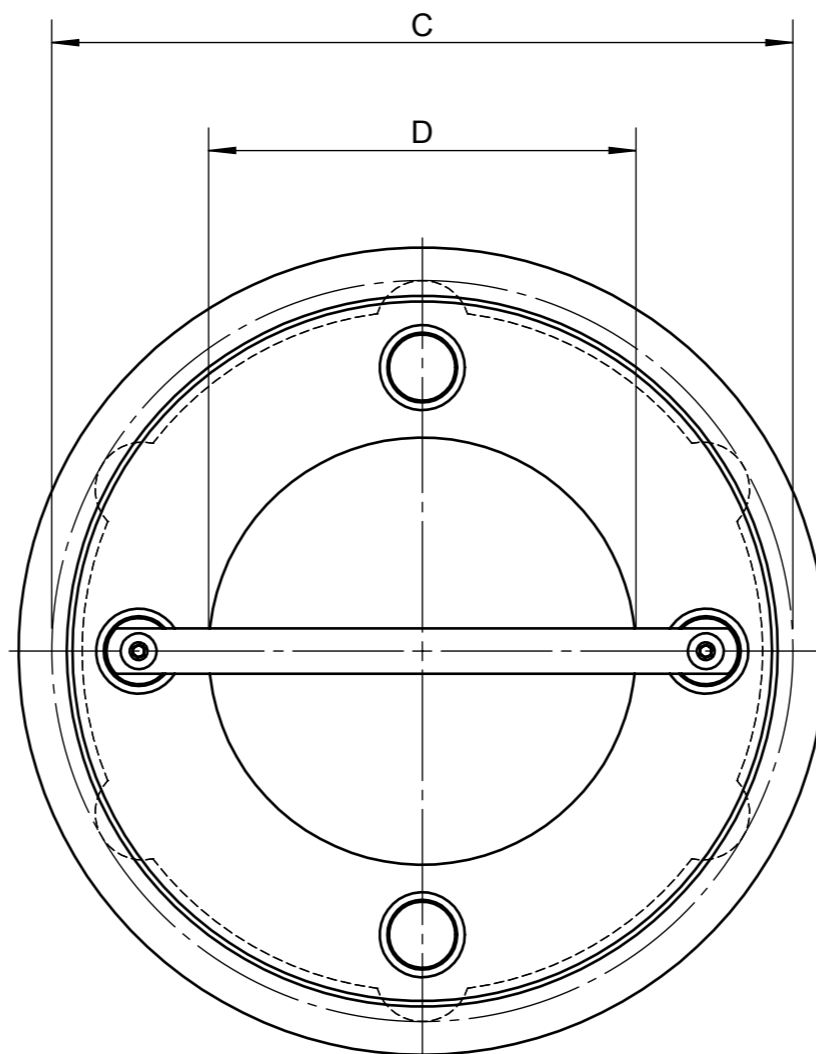
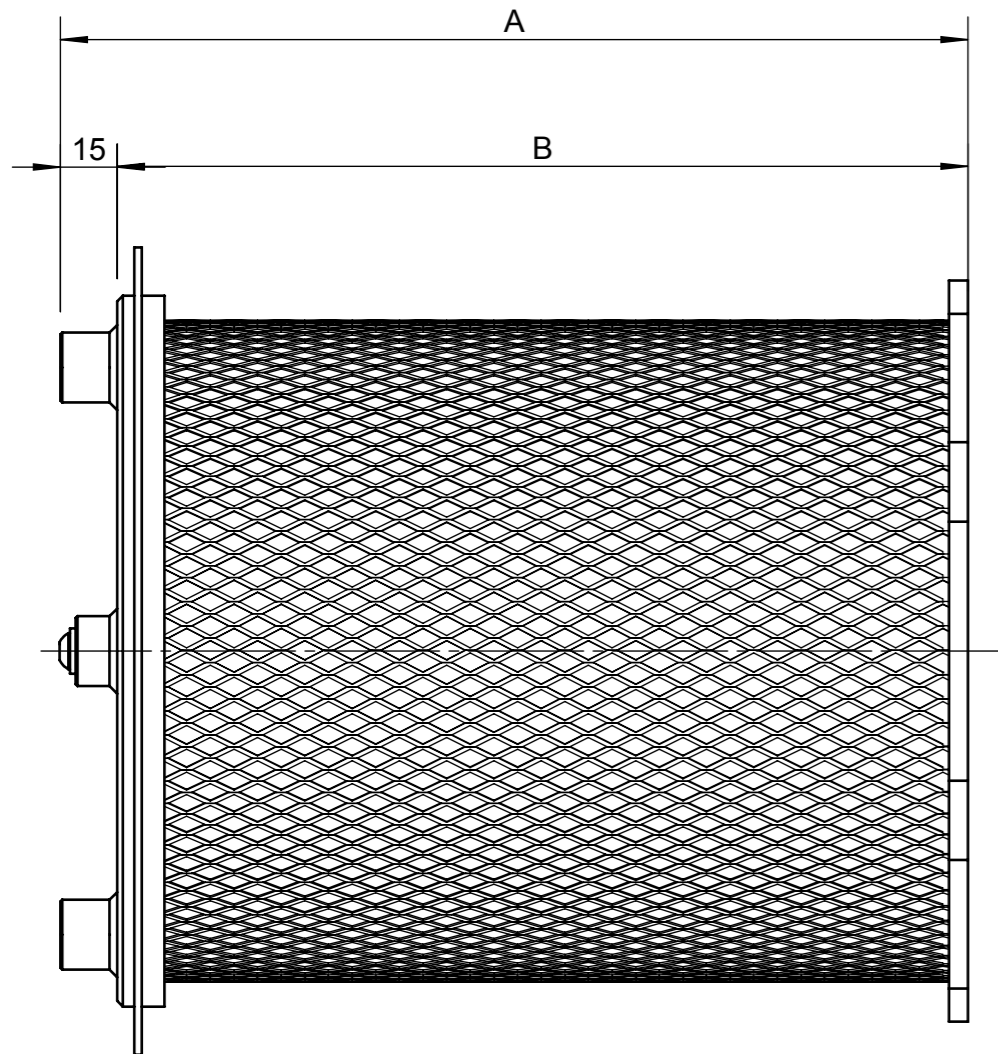
### Quality Control:

All M.C. Air Filtration HEPA filters are manufactured and tested under strict quality controlled conditions in accordance with our BS EN ISO 9001 accreditation.

Each Filter is individually factory tested and allocated with a unique serial Number for future traceability.

Alternative sizes, specifications and materials of construction may be available; please contact our Sales office to discuss your specific requirements.





CODE NO.	NOMINAL BORE	DIM.A	DIM.B	DIA.C	DIA.D
35492	Ø150 (6")	164	149	146	62
35535	Ø200 (8")	240	225	196	113

GENERAL NOTES

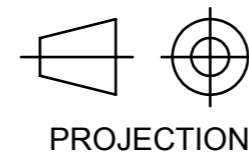
- MATERIAL OF CONSTRUCTION:- STAINLESS STEEL GRIDS
- EFFICIENCY:- 99.999% @0.3µ - H14 GRADE
- RATED DUTY:- 35492 - 60m³/h @220 Pa.  
35535 - 120m³/h @220 Pa.

REV.	DATE	APPROVED	DESCRIPTION	DCR No.
A	25/09/2012	G.K.J	FOR APPROVAL	---
REVISIONS				

**M.C. Air Filtration**  
 Motney Hill Road Gillingham Kent ME8 7TZ  
 Tel. 01634 388333 Fax. 01634 379384  
 www.mcaf.co.uk

DIMENSIONS IN MILLIMETERS UNLESS OTHERWISE STATED  
 REMOVE ALL BURRS AND SHARP EDGES

TOLERANCE



TITLE

G.A - PUSH-PUSH HEPA FILTER  
 FOR Ø150 AND Ø200 BORES

This Drawing Is Our Sole Property And Copyright, And May Not Be Disclosed, Copied Or Reproduced Without Prior Written Consent Of:-  
**M.C. AIR FILTRATION ©**

SCALE	DRAWN	S.C.B.	DATE
1:1.5	CHECKED	G.K.J.	25/09/2012
	APPROVED	G.K.J.	25/09/2012

DRG No: **3/AF7277**

ISSUE  
**A**  
 A3